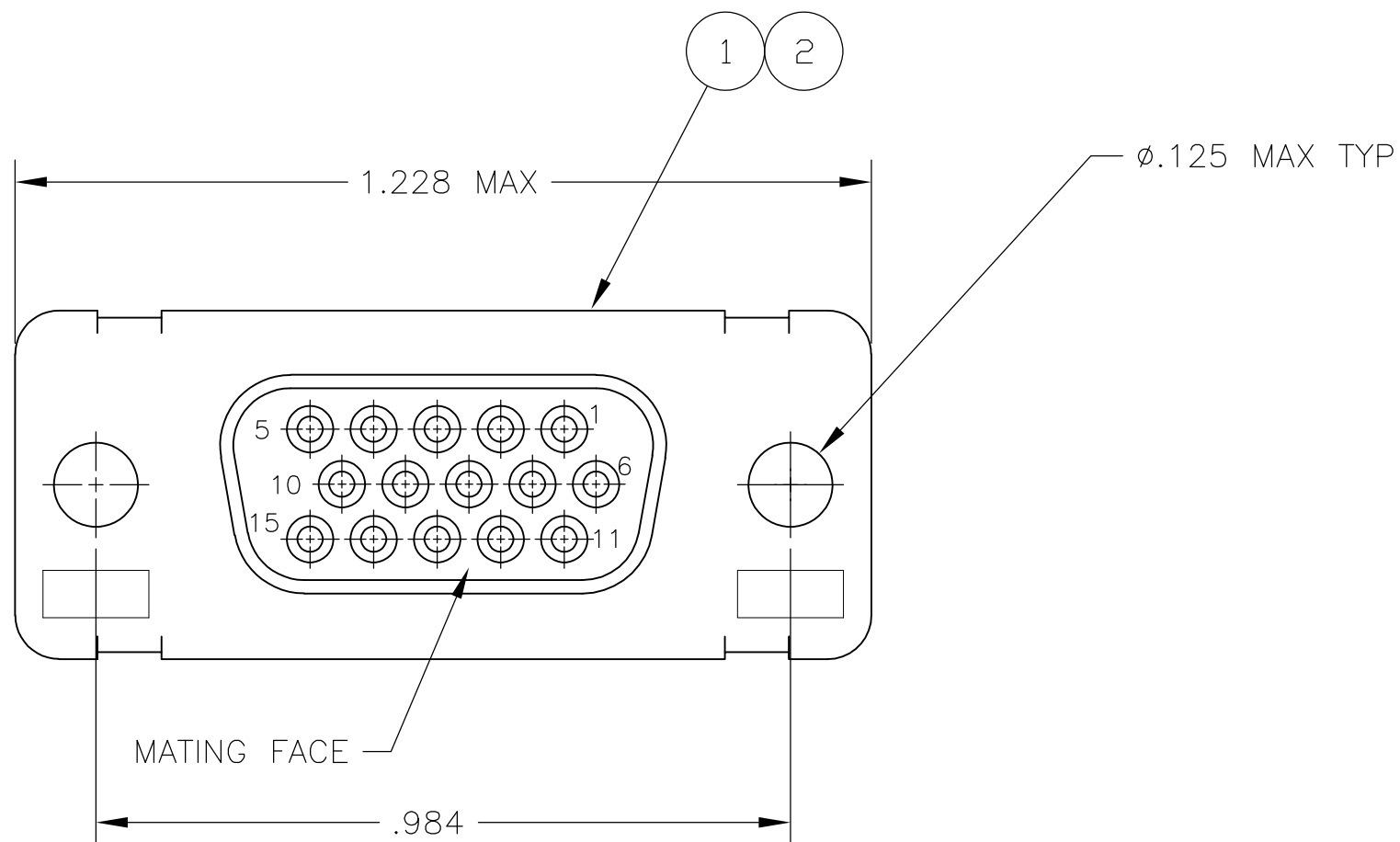
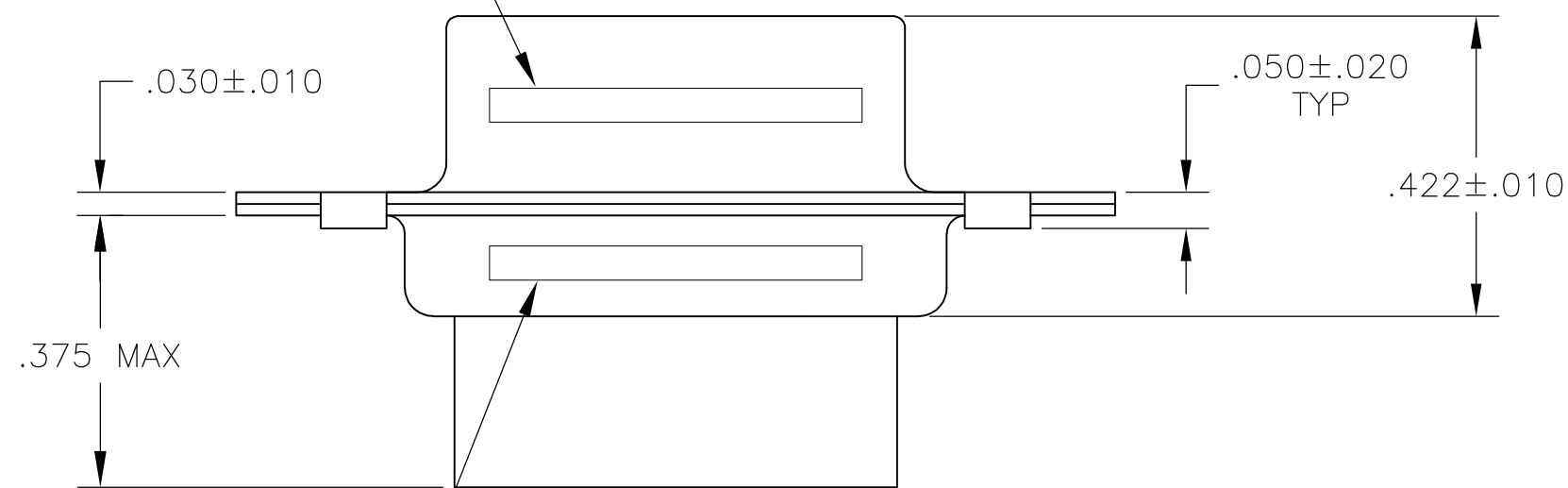


THIS DRAWING IS UNPUBLISHED. RELEASED FOR PUBLICATION
 © COPYRIGHT - By - ALL RIGHTS RESERVED.

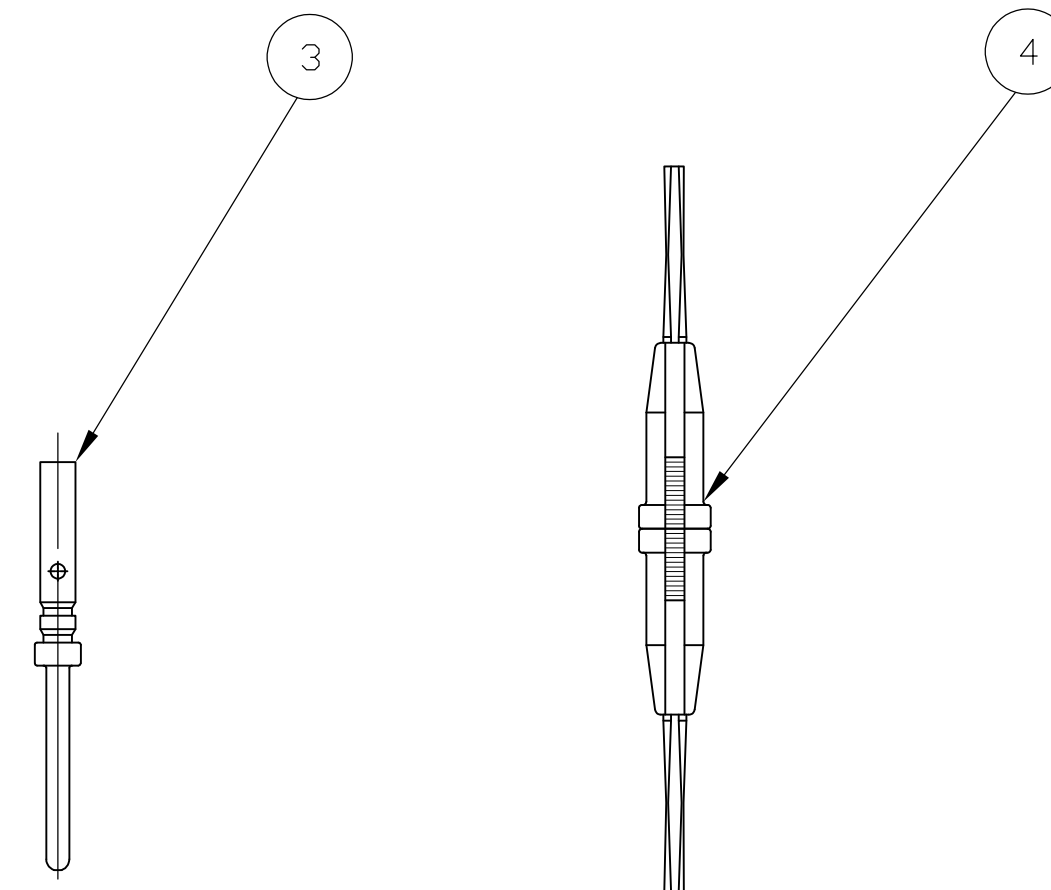
| LOC | DIST | REVISIONS | | | | | |
|-----|------|-----------|-----|---------------------------|---------|-----|------|
| DF | D5 | P | LTR | DESCRIPTION | DATE | DWN | APVD |
| | | H1 | | REVISED PER ECO-11-005030 | 11MAR11 | RK | HMR |



MARK TE & DATE CODE
 PER 115-10002-2
 NEAR SIDE



MARK MILITARY PART NO.
 FAR SIDE PER 115-10002-2
 MARK TE PART NO, NEAR SIDE
 SEE TABLE



| | | | | | | | |
|----------------------------|------------------------------|---------------------------------------|--------------------------------|-----------------------------------|-----------------------------------|-------------|----------|
| OBSOLETE | M24308/8-17F | M24308/8-11F | 91067-1 | 204370-2 | 204501-2 | - | 204513-6 |
| OBSOLETE | M24308/8-11F | M24308/8-11F | - | 204370-2 | 204501-2 | - | 204513-5 |
| OBSOLETE | - | M24308/8-11F | 91067-1 | - | 204501-2 | - | 204513-4 |
| | M24308/4-17F | M24308/4-11F | 91067-1 | 204370-2 | - | 204501-1 | 204513-3 |
| | M24308/4-11F | M24308/4-11F | - | 204370-2 | - | 204501-1 | 204513-2 |
| | - | M24308/4-11F | 91067-1 | - | - | 204501-1 | 204513-1 |
| MILITARY P/N ON PACKAGE | MILITARY P/N ON CONNECTOR | (4) INSERT/EXTRACT TOOL QTY = 1 | (3) PIN CONTACT QTY = 15 | (2) RECEPTACLE ASSY QTY = 1 | (1) RECEPTACLE ASSY QTY = 1 | PART NUMBER | |

THIS DRAWING IS A CONTROLLED DOCUMENT.

| | | | |
|-----------------------|---|-----------------------------|---|
| DIMENSIONS: INCHES | TOLERANCES UNLESS OTHERWISE SPECIFIED: | DWN P. YEAGER 15DEC08 | TE Connectivity AMPLIMITE KIT, HDD SERIES PLUG, SIZE 1, 15 POSITION |
| | 0 PLC ± - | CHK R. LEASE 16DEC08 | |
| | 1 PLC ± - | APVD R. LEASE 16DEC08 | |
| | 2 PLC ± - | PRODUCT SPEC | |
| MATERIAL SEE TABLE | FINISH SEE TABLE | APPLICATION SPEC | RESTRICTED TO |

WEIGHT -

SCALE 4:1 SHEET 1 OF 1 REV H1

CUSTOMER DRAWING

SIZE A2 CAGE CODE 00779 C=204513

Mouser Electronics

Authorized Distributor

Click to View Pricing, Inventory, Delivery & Lifecycle Information:

[TE Connectivity:](#)

[M24308/4-11F](#)